

## Operating instructions



recoVAIR

VAR 260/4 (E), VAR 360/4 (E)

AT, CH (de), DE

**Publisher/manufacturer**

**Vaillant GmbH**

Berghauser Str. 40 ■ D-42859 Remscheid  
Tel. +49 21 91 18-0 ■ Fax +49 21 91 18-2810  
info@vaillant.de ■ www.vaillant.de

 **Vaillant**

# Contents

## Contents

<b>1</b>	<b>Safety</b> .....	<b>3</b>
1.1	Action-related warnings .....	3
1.2	Intended use .....	3
1.3	General safety information .....	3
<b>2</b>	<b>Notes on the documentation</b> .....	<b>5</b>
2.1	Observing other applicable documents .....	5
2.2	Storing documents .....	5
2.3	Validity of the instructions .....	5
<b>3</b>	<b>Product description</b> .....	<b>5</b>
3.1	Role and function .....	5
3.2	Symbols on the product .....	6
3.3	Product design .....	6
3.4	Digital Information and Analysis System (DIA) .....	6
3.5	Information on the identification plate .....	6
3.6	CE label .....	7
<b>4</b>	<b>Operation</b> .....	<b>7</b>
4.1	Operating concept .....	7
4.2	Basic display .....	7
4.3	Operating levels .....	7
4.4	Operator level – overview .....	8
4.5	Switching the product on/off .....	8
4.6	Setting the ventilation .....	8
4.7	Setting the desired temperature .....	9
<b>5</b>	<b>Troubleshooting</b> .....	<b>9</b>
5.1	Detecting and rectifying faults .....	9
<b>6</b>	<b>Maintenance and care</b> .....	<b>9</b>
6.1	Spare parts .....	10
6.2	Carrying out maintenance work .....	10
<b>7</b>	<b>Decommissioning</b> .....	<b>11</b>
7.1	Permanently decommissioning the product .....	11
<b>8</b>	<b>Recycling and disposal</b> .....	<b>11</b>
<b>9</b>	<b>Guarantee and customer service</b> .....	<b>12</b>
9.1	Guarantee .....	12
9.2	Customer service .....	12
<b>Appendix</b> .....	<b>13</b>	
<b>A</b>	<b>Operator level – overview</b> .....	<b>13</b>
<b>B</b>	<b>Ventilation levels – Overview</b> .....	<b>14</b>
<b>C</b>	<b>Status messages – Overview</b> .....	<b>14</b>
<b>D</b>	<b>Maintenance messages – Overview</b> .....	<b>15</b>
<b>E</b>	<b>Limp home mode messages – Overview</b> .....	<b>15</b>
<b>F</b>	<b>Troubleshooting and fault elimination</b> .....	<b>15</b>
F.1	Troubleshooting .....	15
F.2	Remedy .....	15



## 1 Safety

### 1.1 Action-related warnings

#### Classification of action-related warnings

The action-related warnings are classified in accordance with the severity of the possible danger using the following warning signs and signal words:

#### Warning symbols and signal words

**Danger!**

Imminent danger to life or risk of severe personal injury

**Danger!**

Risk of death from electric shock

**Warning.**

Risk of minor personal injury

**Caution.**

Risk of material or environmental damage

### 1.2 Intended use

There is a risk of injury or death to the user or others, or of damage to the product and other property in the event of improper use or use for which it is not intended.

The product is only intended for aerating and ventilating living areas. If the product is operated with a heat production source, the heat production source must be room-sealed. The remote control must only be used to control the product. The product must only be operated when the filters are inserted.

The product is not suitable for aerating and ventilating swimming pool systems. Due to the high level of exposure to dust, the product must not be operated during the construction phase.

Intended use includes the following:

- observance of the operating instructions included for the product and any other system components
- compliance with all inspection and maintenance conditions listed in the instructions.

This product can be used by children aged from 8 years and above and persons with reduced physical, sensory or mental capabilities or lack of experience and knowledge if

they have been given supervision or instruction concerning use of the product in a safe way and understand the hazards involved. Children must not play with the product. Cleaning and user maintenance work must not be carried out by children unless they are supervised.

Any other use that is not specified in these instructions, or use beyond that specified in this document shall be considered improper use. Any direct commercial or industrial use is also deemed to be improper.

**Caution.**

Improper use of any kind is prohibited.

### 1.3 General safety information

#### 1.3.1 Danger caused by improper operation

Improper operation may present a danger to you and others, and cause material damage.

- ▶ Carefully read the enclosed instructions and all other applicable documents, particularly the "Safety" section and the warnings.
- ▶ Only carry out the activities for which instructions are provided in these operating instructions.

#### 1.3.2 The product must only be installed and started up by the competent person

The product must only be properly installed and started up by a competent person.

#### 1.3.3 Risk of poisoning caused by simultaneous operation with a heat production source

If the product is operated at the same time as a heat production source, life-threatening flue gas may escape into the rooms from the heat production source.

- ▶ Ensure that the competent person has installed a safety device that monitors the pressure difference between the living room and flue system.





## 1 Safety

### 1.3.4 Risk of injury and material damage due to incorrect maintenance and repairs

- ▶ Only carry out permitted maintenance work on the product.
- ▶ Employ a competent person to carry out all other maintenance and repair work.
- ▶ Never carry out repair work on the product yourself.
- ▶ Adhere to the maintenance intervals specified.

### 1.3.5 Danger due to changes to the product environment

There is a risk of injury or death to the operator or others, or of damage to the product and other property, in the event of changes to the product environment.

- ▶ Never shut down the safety devices.
- ▶ Do not tamper with any of the safety devices.
- ▶ Do not damage or remove any seals on components. Only qualified competent persons and customer service personnel are authorised to make modifications to sealed components.
- ▶ Do not make any changes:
  - The product itself
  - to the product bypass
  - to the pipelines and connections for exit air, supply air, exhaust air and outside air
  - to the condensate discharge
  - to the mains connection
- ▶ Ensure that the mains plug/circuit breaker (depending on the country) is always accessible after the installation by the competent person and during the entire time the product is operating.
- ▶ Do not seal off any air inlets and outlets in doors, ceilings, windows and walls.
- ▶ When installing floor coverings, do not close off or reduce in size the ventilation openings on the undersides of doors.
- ▶ If loudspeaker announcements from the fire brigade/police or radio announcements request that you close windows and doors, you must switch off the product.  
(→ Page 8)



## 2 Notes on the documentation

### 2.1 Observing other applicable documents

- ▶ You must observe all operating instructions enclosed with the system components.

### 2.2 Storing documents

- ▶ Keep this manual and all other applicable documents safe for future use.

### 2.3 Validity of the instructions

These instructions apply only to:

#### Product article number

Applicability: Switzerland

	Switzerland
VAR 260/4	0010016042
VAR 260/4 E	0010016350
VAR 360/4	0010016041
VAR 360/4 E	0010016351

#### Product article number

Applicability: Germany

	Germany
VAR 260/4	0010016040
VAR 260/4 E	0010016348
VAR 360/4	0010015166
VAR 360/4 E	0010016349

#### Product article number

Applicability: Austria

	Austria
VAR 260/4	0010016040
VAR 260/4 E	0010016348
VAR 360/4	0010015166
VAR 360/4 E	0010016349

## 3 Product description

This product is a domestic ventilation unit.

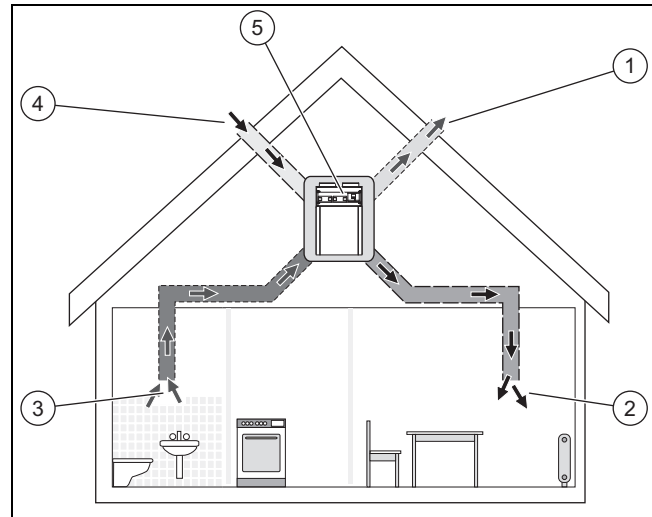
### 3.1 Role and function

#### Task

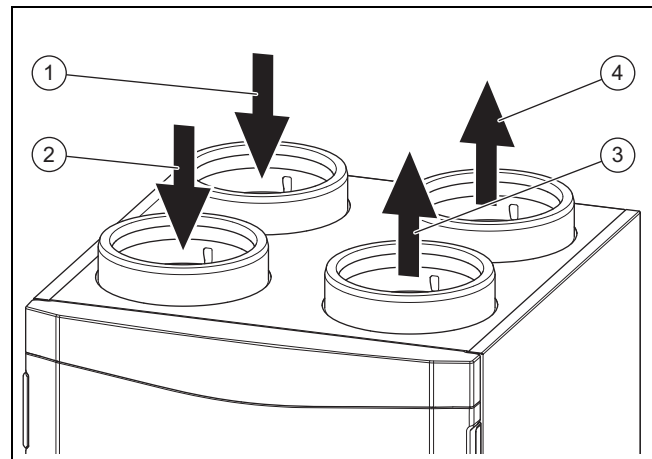
The product aerates and ventilates living spaces and ensures a constant exchange of air with heat recovery in the building.

Furthermore, the product guarantees the hygienically necessary minimum air exchange and prevents damage to the building caused by moisture and mould.

### Functionality



The product (5) is the central component in controlled room ventilation. Fresh outside air (4) is guided to the living rooms and bedrooms via air intake openings (2). The used air from the kitchen, bathroom and WC is guided outside (1) via the exhaust air openings (3).



The exhaust air (2) from the dwelling is guided to the product. The filter for the exhaust air cleans the exhaust air and guides the exhaust air to the heat exchanger. The heat exchanger extracts the heat from the exhaust air (heat recovery). The cooled air is guided outside as exit air (4). The outside air (1) is guided to the product from the outside. The filter for the outside air cleans the outside air and guides the outside air to the heat exchanger. The heat exchanger transfers the heat from the exhaust air to the outside air. The heated air is guided to the dwelling as supply air (3).

On summer nights, the outside temperature is often lower than the room temperature. Through the automatic bypass, the cooler outside air is no longer preheated by the heat exchanger. The bypass guides the warmer exhaust air past the heat exchanger directly outside. The frost protection function reduces the supply air volume flow according to demand, which leads to an increase in the exit air temperature. This prevents the heat exchanger from freezing. If the reduction in the supply air volume flow is no longer sufficient, the product switches off.

The humidity sensor records the current moisture in the exhaust air. If you operate the product in auto mode, the current air volume flow is regulated according to demand (aguaCARE).

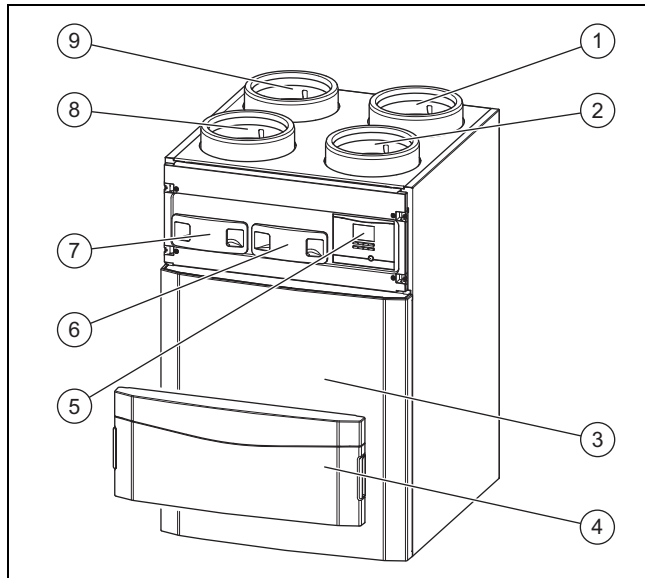
### 3 Product description

In the winter, the room air humidity can be perceived as dry. The optional enthalpy heat exchanger (heat exchanger with moisture recovery) has the opposite effect (**aguaCARE plus**).

#### 3.2 Symbols on the product

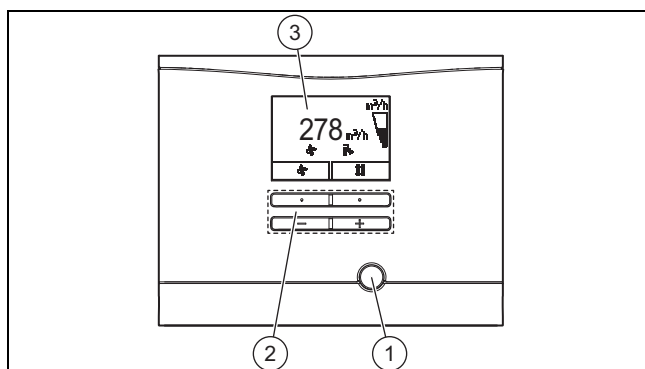
Symbol	Meaning
	Opening for the outdoor-air filter
	Opening for the exhaust air filter

#### 3.3 Product design



- |   |                        |   |                        |
|---|------------------------|---|------------------------|
| 1 | Exit air connection    | 6 | Exhaust air filter     |
| 2 | Supply air connection  | 7 | Outdoor air filter     |
| 3 | Front casing           | 8 | Exhaust air connection |
| 4 | Front flap             | 9 | Outside air connection |
| 5 | Operator control panel |   |                        |

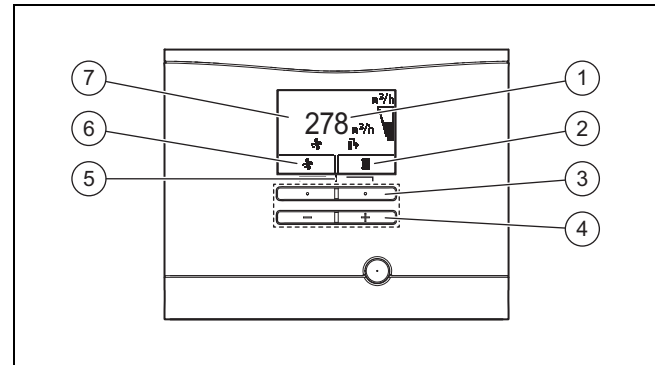
##### 3.3.1 Overview of the operator control elements



- |   |                     |   |         |
|---|---------------------|---|---------|
| 1 | Fault clearance key | 3 | Display |
| 2 | Operating buttons   |   |         |

#### 3.4 Digital Information and Analysis System (DIA)

The product is equipped with a Digital Information and Analysis System (DIA system). This system provides information on the operating status and helps you deal with faults.




- |   |   |   |   |
|---|---|---|---|
| 1 | Display of the current air volume flow                                  | 5 | Access to the menu for additional information                             |
| 2 | Display of the current configuration of the right-hand selection button | 6 | Display of the current configuration of the left-hand selection button    |
| 3 | Left- and right-hand selection buttons                                  | 7 | Display of the symbols for the active operating status of the ventilators |
| 4 | "+" button/"-" button   |   |   |

Symbol	Meaning
	Air volume flow: - Symbol is filled: Air volume flow is greater - Symbol is empty: Air volume flow is smaller
	Heat recovery: - Permanently on: Heat recovery is switched off - Permanently off: Heat recovery is active
	- Shown in the display: Ventilation active - Display in the current configuration of the left-hand selection button: Adjustment range for the air volume flow
	Adjustment range for the desired temperature
	Fault in the product: Appears instead of the basic display, may be an explanatory plain text display

#### 3.5 Information on the identification plate

The identification plate is mounted on the underside of the product.

Information on the identification plate	Meaning
	Read the installation and maintenance instructions.
VAR 260/4 (E) VAR 360/4 (E)	Type designation
VAR	Vaillant ventilation unit with heat recovery
260 360	Max. air volume flow in m <sup>3</sup> /h
/4	Unit generation
E	Enthalpy
P <sub>MAX</sub>	Max. power consumption

Information on the identification plate	Meaning
$V_{MAX}$	Max. air volume flow
$dP_{MAX}$	Delivery pressure at max. air volume flow
$T_{MAX}$	Max. operating temperature
	Bar code with serial number, The 7th to 16th digits of the serial number form the article number

### 3.6 CE label



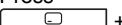





The CE label shows that the products comply with the basic requirements of the applicable directives as stated on the identification plate.

The declaration of conformity can be viewed at the manufacturer's site.

## 4 Operation

### 4.1 Operating concept

Operator control element	Meaning
 (Left-hand selection button)	<ul style="list-style-type: none"> <li>Setting the air volume flow</li> <li>Cancelling the activation of an operating mode</li> <li>Cancelling a change to a set value</li> <li>Going one selection level higher</li> </ul>
 (Right-hand selection button)	<ul style="list-style-type: none"> <li>Setting the desired temperature</li> <li>Activating the operating mode</li> <li>Confirm setting</li> <li>Going one selection level lower</li> </ul>
Press  +  at the same time	Calling up the menu
 / 	<ul style="list-style-type: none"> <li>Switching back and forth between the menu items for the entry list</li> <li>Decreasing/increasing the set value</li> </ul>

Both selection buttons have a soft key function. This means that their function can be changed.

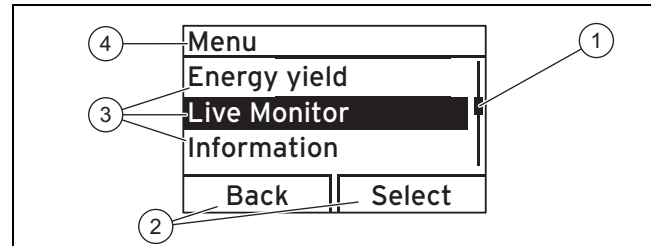
If the display has been dimmed, the light is switched on by the first press of the button. In this case, to trigger the button function, you must press a button again.

The display shows a highlighted selection level, a setting level or a highlighted value with white font on a black background. A flashing, highlighted value means that you can change the value.

You always have the option to cancel the change to a setting and the reading of a value or to exit the selection level by pressing the left-hand selection button.

If you do not press any buttons for more than 15 minutes, the display returns to the basic display. Changes that are not confirmed will not be applied.

#### 4.1.1 Selection level display fields

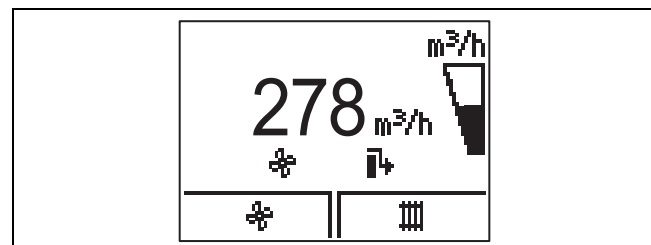


- |   |   |   |                                     |
|---|---|---|-------------------------------------|
| 1 | Scrollbar (if more than three list entries are available)                           | 3 | Selection level list entries        |
| 2 | Current functions of the right and left-hand selection buttons (soft key functions) | 4 | Current function or selection level |

You can use the selection levels to navigate to the display and setting levels in which you can read or change settings. The selection levels have four display fields.

In the following, a path name is specified which shows you how to access a function, e.g. **Menu** → **Information** → **Contact data**.

### 4.2 Basic display



The basic display shows the current condition of the product. From the basic display, you can directly call up and change the air volume flow (ventilation) and the desired temperature.

You can access all other functions via the menu.

If there is a fault message, the basic display switches to a plain text display of the fault message.

From the basic display, you can directly change and read the most important settings and information by pressing the selection buttons.

The functions that are available depend on whether a controller is connected to the product.

### 4.3 Operating levels

The product has two operating levels:

- The operator level shows the most important information and offers set-up options which do not require any special prior knowledge.
- The installer level must only be operated by persons with expertise and is therefore protected by a code.

## 4 Operation

### 4.4 Operator level – overview

The appendix contains the complete overview of the end user level. The most important menu points are explained below.

Operator level – overview (→ Page 13)

#### 4.4.1 Reading the energy yield

Menu → **Energy yield** →

You can use this function to read the energy yield for the entire operation.

If a controller is connected, you can also read the energy yield for the previous day, month and year.

The output figure represents the relationship between recovered and used energy.

#### 4.4.2 Reading the Live Monitor (current status)

Menu → **Live Monitor** →

You can use the Live Monitor function to read the current status of the product, the connected components, and the temperature and parameter values. The display is automatically updated.

#### 4.4.3 Reading contact details

Menu → **Information** → **Contact data**

If your competent person has entered their telephone number during the installation, you can read the telephone number under **Contact details**.

#### 4.4.4 Reading serial and article numbers

Menu → **Information** → **Serial number**

You can use this function to read the serial and article number. The article number is found in the second line of the serial number.

#### 4.4.5 Reading the filter change

Menu → **Information** → **Days until filter chg.**

You can use this function to read when the filters have to be replaced.

#### 4.4.6 Filter change overdue

Menu → **Information** → **Filter chg. overdue**

You can use this function to read by how long the filter change is overdue.

#### 4.4.7 Reading the maintenance interval

Menu → **Information** → **Days until maint.**

You can use this function to read when you should have your product serviced.

#### 4.4.8 Maintenance interval overdue

Menu → **Information** → **Maintenance overdue**

You can use this function to read by how long the maintenance for your product is overdue.

### 4.4.9 Setting the language

Menu → **Basic settings** → **Language**

You can use this function to change the language settings for your product.

#### 4.4.10 Set display contrast

Menu → **Basic settings** → **Display contrast**

You can use this function to set the display contrast.

#### 4.4.11 Setting the heat recovery

Menu → **Basic settings** → **Heat recovery**

You can use this function to set the heat recovery.

- Auto heat recovery (recommended): The bypass is automatically closed/opened depending on the outside temperature.
- Heat recovery on: The bypass is closed.
- Heat recovery off: The bypass is open.

### 4.5 Switching the product on/off

The mains plug/circuit breaker (depending on the country) must remain accessible after the installation by the competent person and during the entire time the product is operating.

#### 4.5.1 Switching on the product

- ▶ Plug the product's mains plug into the earthed plug socket (230 V) or use the circuit breaker (depending on the country) to switch on the product.
  - ◀ The product's electronics start up.
  - ◀ The basic display appears on the display.

#### 4.5.2 Switching off the product

- ▶ Pull the product's mains plug out of the earthed plug socket (230 V) or use the circuit breaker (depending on the country) to switch off the product.

### 4.6 Setting the ventilation

#### 4.6.1 Setting the ventilation on the product

##### 1. Alternatives 1 / 2

- ▶ Press  in the basic display.
- ▶ Use  and  to select the desired ventilation level.
  - Adjustment range: **Nominal ventilation, Increased ventil., Reduced ventilation, Auto**
- ▶ Confirm by pressing .

##### 1. Alternatives 2 / 2

- ▶ Press  in the basic display.
- ▶ Press .
- ▶ Use  and  to select the desired ventilation level.



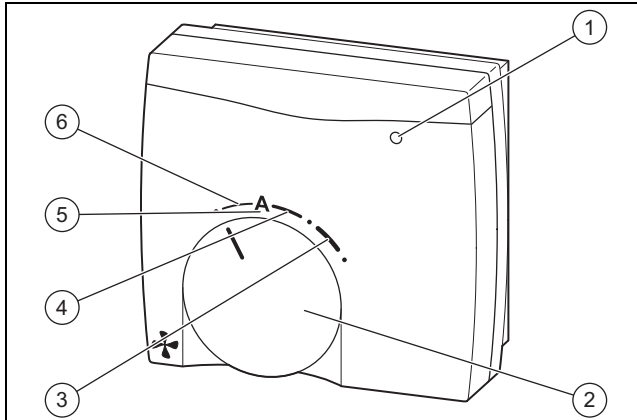
- Adjustment range: **Intens. ventilation On, Intens. ventilation Off**

Ventilation levels – Overview (→ Page 14)

- ▶ Confirm by pressing .

## 4.6.2 Setting the ventilation at the step switch

**Conditions:** Step switch connected



- |                         |                         |
|-------------------------|-------------------------|
| 1 Maintenance indicator | 4 Nominal ventilation   |
| 2 Rotary switch         | 5 Automatic ventilation |
| 3 Increased ventilation | 6 Reduced ventilation   |

- ▶ Use the step switch to set the ventilation level (optional accessory).

Ventilation levels – Overview (→ Page 14)



### Note

The maintenance display (1) lights up if the product requires a filter change or general maintenance, or if a fault is present.

## 4.6.3 Setting the ventilation at the control

**Conditions:** Controller connected

- ▶ Navigate to the corresponding menu in the control and set the ventilation level (→ Control operating instructions).





Ventilation level	Proportion of the nominal ventilation <sup>1)</sup>
0	40 %
1	70 %
2	80 %
3	90 %
4	100 %
5	110 %
6	120 %
7	130 %

<sup>1)</sup> The nominal ventilation is the normal operating mode with normal loading of the room air and a normal number of people.

## 4.7 Setting the desired temperature

**Conditions:** Controller connected, No boiler connected

OR: No controller connected, No other units connected (only **recoVAIR** is available)

- ▶ Press  in the basic display.
- ▶ Use  and  to select the desired temperature.
  - Adjustment range: 16 ... 28 °C
- ▶ Confirm by pressing .

## 5 Troubleshooting

### 5.1 Detecting and rectifying faults



#### Danger!

#### Risk of death from electric shock!

Risk of death from electric shock when working on live connections (230 V).

- ▶ Before carrying out any work on the product, pull the product's mains plug out of the earthed plug socket or use the circuit breaker (depending on the country) to switch off the product's power supply.
- ▶ Secure the power supply against being switched on again.
- ▶ Check that there is no voltage in the connections.

- ▶ If faults or fault messages (**F.XXX**) or limp home mode messages (**Lhm.XXX**) occur, proceed in accordance with the tables in the appendix.
- ▶ If the product is not functioning correctly, contact a competent person.

## 6 Maintenance and care



#### Danger!

#### Risk of death from electric shock!

Risk of death from electric shock when working on live connections (230 V).

- ▶ Before carrying out any work on the product, pull the product's mains plug out of the earthed plug socket or use the circuit breaker (depending on the country) to switch off the product's power supply.
- ▶ Secure the power supply against being switched on again.
- ▶ Check that there is no voltage in the connections.

An annual inspection and biennial maintenance of the product carried out by a competent person is a prerequisite for ensuring that the product is permanently ready and safe for operation, reliable, and has a long service life. The

## 6 Maintenance and care

inspection may require maintenance to be carried out earlier, depending on the results.

### 6.1 Spare parts

All spare parts that are used must be Original Vaillant spare parts.

Original Vaillant spare parts are available from your heating specialist company.

### 6.2 Carrying out maintenance work

- ▶ Only carry out the maintenance work that is listed in the operating instructions.
- ▶ Observe the displayed maintenance messages and measures in accordance with the table in the appendix.
- ▶ Switch off the product before carrying out any maintenance work. (→ Page 8)
- ▶ Switch on the product after carrying out any maintenance work. (→ Page 8)
- ▶ Ensure that all other maintenance work that is not listed here is carried out by a competent person.

#### 6.2.1 Caring for the product



##### Caution.

**Risk of material damage caused by unsuitable cleaning agents.**

- ▶ Do not use sprays, scouring agents, detergents, solvents or cleaning agents that contain chlorine.

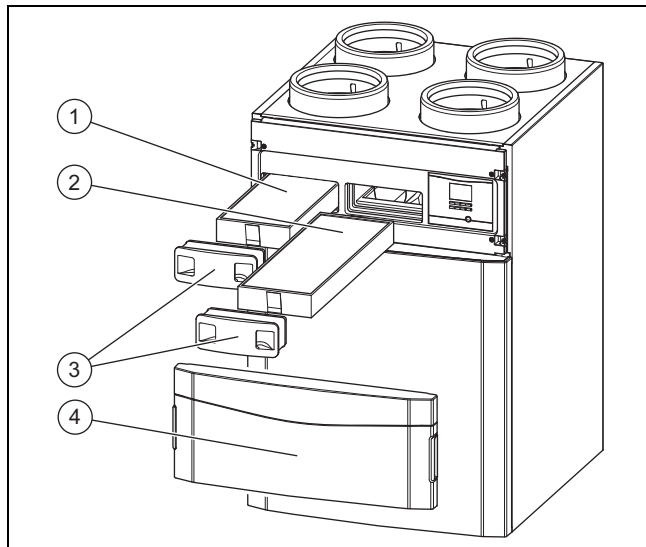
- ▶ Clean the casing with a damp cloth and a little solvent-free soap.

#### 6.2.2 Cleaning the supply and exhaust air valves

- ▶ Clean the supply and exhaust air valves in the living areas (→ Instructions for valves).

#### 6.2.3 Maintaining the filters

##### Removing the filters



1. Remove the front flap (4) by pushing the recessed handle.

2. Pull out both of the filter plugs (3).
  3. Pull the outdoor air filter (1) and the exhaust-air filter (2) out of the product.
  4. Check the filters for dirt.
    - Recommended check: Every three months
- 1 / 2**  
Degree of contamination: Filter is lightly soiled



##### Caution.

**Risk of material damage caused by incorrect cleaning of the filter.**

Water and other liquids may damage the filters and the product.

- ▶ Only clean the filters with a vacuum cleaner.

- ▶ Clean the filters.
  - Vacuum cleaner at a low setting

##### 2 / 2

Degree of contamination: Filter is heavily soiled

Operating days: ≥ 182 d




Replacement interval reached: At least twice annually

- ▶ Replace the filters in the system.
  - Exhaust-air filter class: G4 (in accordance with EN 779)/ISO Coarse (in accordance with ISO 16890)
  - Outdoor-air filter class: F7 or F9 (in accordance with EN 779)/ISO ePM<sub>2,5</sub> 65% or ISO ePM<sub>1,0</sub> 85% (in accordance with ISO 16890)
  - Exhaust air valve filter

##### Installing the filters

5. Install the filters in the product and ensure that they are correctly aligned as you do so.
  - Labelling on the filters and slot positions
6. Place the filter plugs on the filters.

##### Resetting the filter days

7. Switch on the product. (→ Page 8)
8. Press the  +  buttons simultaneously to access the menu.
9. Navigate to the **Resets** → **Res. days until fil. ch.** menu.
10. Reset the filter days.
11. Press the  button to exit the menu.
12. Secure the front flap.

#### 6.2.4 Cleaning the condensate siphon



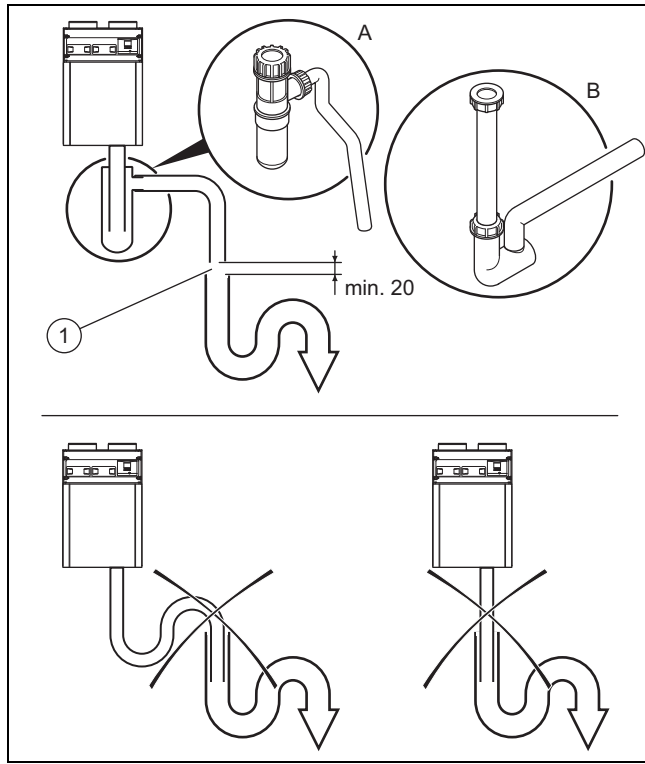
##### Note

Wear gloves and avoid contact with the skin and eyes.

1. Check the condensate siphon for dirt each time you change the filter.  
Condensate siphon contaminated
  - ▶ Remove the condensate siphon from the product.
  - ▶ Clean the condensate siphon.

### Connecting the condensate siphon/dry siphon and condensate drain pipework

2. Connect the condensate siphon/dry siphon to the product (→ Installation instructions for the condensate siphon/dry siphon, accessories).
  - Condensate discharge pipe downward gradient (descending from the product):  $> 5^\circ$



#### Danger!

**Risk of damage to health caused by incorrectly connected condensate drain pipework!**

In the interests of hygiene, the condensate drain pipework must not be directly connected to the waste-water piping.

- ▶ Connect the condensate discharge to the second siphon.



#### Caution.

**Risk of material damage caused by condensate.**

If a condensate discharge pipe has been connected incorrectly, a build-up of condensate and uncontrolled condensate drainage may damage the product. Furthermore, the condensate may leak out of the product and onto the floor.

- ▶ Install a drip distance of min. 20 mm between the outlet for the condensate drain pipework and the second siphon.
- ▶ Note the downward gradient for the condensate discharge pipe ( $> 5^\circ$ ).

3. Connect the condensate drain pipework to the second siphon while taking into consideration the drip distance (1).
  - Drip distance:  $\geq 20$  mm
4. Fill the condensate siphon/dry siphon with water.

### 6.2.5 Establish system efficiency

1. Clean the supply and exhaust air valves and their corresponding filters. (→ Page 10)
2. Check whether any obstructions are impeding the air flows.
3. Clean the outside air's intake tract and the exit air's outlet openings.
4. Carry out maintenance on the product filter. (→ Page 10)
5. Remove the front flap if this has not yet been done.
6. Switch the product on if this has not already been done. (→ Page 8)
7. Press the reset button.
  - ◁ Maintenance message **M.802** is no longer shown in the display. No other measures are required.
  - ▽ Maintenance message **M.802** is still being shown in the display.
    - ▶ Inform a competent person.
8. Secure the front flap.

## 7 Decommissioning

### 7.1 Permanently decommissioning the product

- ▶ Have a competent person permanently decommission the product.

## 8 Recycling and disposal

### Disposing of the packaging

- ▶ The competent person who installed your product is responsible for the disposal of the packaging.

### Disposing of the product and accessories

- ▶ Do not dispose of the product or the accessories (apart from the filters) with household waste.
- ▶ Ensure that the product and all accessories are disposed of properly.
- ▶ Dispose of used filters with household waste.
- ▶ Observe all relevant regulations.

## 9 Guarantee and customer service

### 9 Guarantee and customer service

#### 9.1 Garantie

**Applicability:** Switzerland

Werksgarantie gewähren wir nur bei Installation durch einen anerkannten Fachhandwerksbetrieb. Dem Eigentümer des Geräts räumen wir eine Werksgarantie entsprechend den landesspezifischen Vaillant Geschäftsbedingungen und den entsprechend abgeschlossenen Wartungsverträgen ein. Garantiarbeiten werden grundsätzlich nur von unserem Werkskundendienst ausgeführt.

**Applicability:** Germany

OR Austria

Herstellergarantie gewähren wir nur bei Installation durch einen anerkannten Fachhandwerksbetrieb.

Dem Eigentümer des Geräts räumen wir diese Herstellergarantie entsprechend den Vaillant Garantiebedingungen ein. Garantiarbeiten werden grundsätzlich nur von unserem Kundendienst ausgeführt. Wir können Ihnen daher etwaige Kosten, die Ihnen bei der Durchführung von Arbeiten an dem Gerät während der Garantiezeit entstehen, nur dann erstatten, falls wir Ihnen einen entsprechenden Auftrag erteilt haben und es sich um einen Garantiefall handelt.

#### 9.2 Customer service

**Applicability:** Austria

Vaillant Group Austria GmbH  
Clemens-Holzmeister-Straße 6  
1100 Wien  
**Österreich**

E-Mail Kundendienst: [termin@vaillant.at](mailto:termin@vaillant.at)

Internet Kundendienst: <http://www.vaillant.at/werkskundendienst/>

Telefon: 05 7050-2100 (zum Regionaltarif österreichweit, bei Anrufen aus dem Mobilfunknetz ggf. abweichende Tarife - nähere Information erhalten Sie bei Ihrem Mobilnetzbetreiber)

Der flächendeckende Kundendienst für ganz Österreich ist täglich von 0 bis 24 Uhr erreichbar. Vaillant Kundendienst-techniker sind 365 Tage für Sie unterwegs, sonn- und feiertags, österreichweit.

**Applicability:** Switzerland

Vaillant GmbH (Schweiz, Suisse, Svizzera)  
Riedstrasse 12  
CH-8953 Dietikon  
**Schweiz, Svizzera, Suisse**

Kundendienst: 044 74429-29

Techn. Vertriebssupport: 044 74429-19

**Applicability:** Germany

Auftragsannahme Vaillant Kundendienst: 021 91 5767901

## Appendix

## A Operator level – overview

Setting level	Values		Unit	Increment, select	Default setting
	Min.	Max.			
<b>Menu → Energy yield →</b>					
Energy yield: Today	Current value		kWh		
En. yield: Prev. day	Current value		kWh		
Energy yield: Month	Current value		kWh		
Energy yield: Year	Current value		kWh		
Energy yield: Total	Current value		kWh		
Output figure	Current value				
<b>Menu → Live Monitor →</b>					
Status	Current value				
Frost prot. element	Current value				
Heat recovery	Current value				
Power efficiency	Current value		Wh/m <sup>3</sup>		
Exhaust air temp.	Current value		°C		
Exhaust air humidity	Current value		% rel.		
Supply air temp.	Current value		°C		
Outside air temp.	Current value		°C		
Supply air targ. val.	Current value		m <sup>3</sup> /h		
<b>Menu → Information →</b>					
Contact data	Phone number				
Serial number	Permanent value				
Days until filter chg.	Current value		d		
Filter chg. overdue	Current value		d		
Days until maint.	Current value		d		
Maintenance overdue	Current value		d		
<b>Menu → Basic settings →</b>					
Language	Current language			Languages available for selection	English
Display contrast	Current value			1	25
	15	40			
Heat recovery	Current value			OFF, ON, Auto	Auto
<b>Menu → Resets →</b>					
Res. days until fil. ch.				Yes, No	No

## Appendix


### B Ventilation levels – Overview

Ventilation level	Meaning
Automatic ventilation (recommended)	The relative humidity in the extract air is continuously measured and the volume flow is adapted to the current requirement. This setting can be used throughout the entire year.
Nominal ventilation	The nominal ventilation is the normal operating mode at normal loading of the room air and a normal number of people.
Reduced ventilation	Reduced ventilation should be selected if you will be absent for an extended period of time in order to reduce the energy consumption.
Increased ventilation	Increased ventilation should be selected for increased loading of the room air. For example, if there is an increased number of people or for activities such as cooking, etc.
Ventilation boost (can only be set using the control elements on the product or the control)	Ventilation boost should be selected if there is temporarily increased load. Ventilation boost is activated for 30 minutes, after which the product automatically switches back to the operating mode that was previously set.

### C Status messages – Overview

Statuscode	Meaning
<b>S.800 Frost prot. element active</b>	The frost protection element is activated at outside temperatures below $-3\text{ }^{\circ}\text{C}$ in order to prevent the product from freezing.
<b>S.802 Heat recovery active</b>	The bypass is closed. Heat is recovered via the heat exchanger.
<b>S.803 Heat recovery not active</b>	The bypass is open. The rooms are passively cooled.
<b>S.804 Heat recovery 50%</b>	The bypass is half-open. The rooms are also passively cooled. However, part of the volume flow is guided through the heat exchanger in order to prevent supply air being too cool.
<b>S.805 Automatic mode</b>	The ventilation of the rooms depends on the moisture in the rooms. The more moisture there is, the more intensive the ventilation. If the optional $\text{CO}_2$ sensors (carbon dioxide) are installed, the $\text{CO}_2$ content is taken into consideration.
<b>S.806 Manual mode</b>	The product is operated at the selected ventilation level. This is set using the control elements on the product, the step switch or an optional control.
<b>S.807 Intens. ventilation</b>	Intensive ventilation has been activated.
<b>S.808 Calibration</b>	Calibration mode has been activated.
<b>S.809 Check programme or sensor/actuator test active</b>	A check programme or sensor/actuator test has been activated.
<b>S.810 Days away from home active</b>	Days away from home mode has been activated.
<b>S.811 Moisture protection active</b>	The moisture protection function has been activated. This is sometimes activated by functions of the limp home mode.
<b>S.812 Standard frost prot. active</b>	The standard frost protection function has been activated. The supply air ventilator is down-regulated, depending on the outside temperature, in order to prevent the product from freezing.
<b>S.813 Cut-off protection bypass active</b>	The automatic bypass cut-off protection has been activated.
<b>S.814 Intensive ventilation overrun</b>	A phase with nominal ventilation always follows an intensive ventilation phase.
<b>S.815 System off Frost protection active</b>	The product is switched off at low temperatures in order to prevent the product from freezing.

## D Maintenance messages – Overview

#	Message	Description	Maintenance work	Interval	
1	<b>M.800 Filter change</b>	The maintenance interval for the filters was exceeded.	Maintaining the filters	At least twice annually	10
2	<b>M.801 Maintenance</b>	The maintenance interval for the product was exceeded.	Have the maintenance work carried out on the product by a competent person	At least annually	
3	<b>M.802 System efficiency impaired</b>	The system efficiency is adversely affected.	Establish system efficiency	As required	11

## E Limp home mode messages – Overview

Message	Possible cause	Measure
<b>Lhm.806 Supply air temp. too low</b>	Frost protection active	<ul style="list-style-type: none"> <li>▶ Wait until the supply-air temperature increases again. The product then starts normal operation.</li> <li>Supply air temp.: &gt; 10 °C</li> </ul>

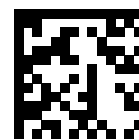
## F Troubleshooting and fault elimination

### F.1 Troubleshooting

Symptom	Possible cause	Measure
Product not operating	The mains voltage has been interrupted/power cut	▶ Wait until the mains voltage has been re-established and the product automatically switches on (all settings are retained).
	Frost protection active (mains voltage present)	<ol style="list-style-type: none"> <li>1. Check whether <b>S.815</b> is displayed in the <b>Live Monitor</b>.</li> <li>2. Wait until the outside temperature increases (the product automatically switches on no later than 60 minutes after the temperature increases.). <ul style="list-style-type: none"> <li>– Outside temperature: &gt; -3 °C</li> </ul> </li> </ol>
Product has a reduced air flow	Filter slightly dirty	▶ Clean the filters.
	Filter heavily dirty	▶ Replace the filter.
	Supply-air temperature too low	▶ Wait until the supply-air temperature increases again. The product then starts normal operation. Supply air temp.: > 10 °C
	Outside temperature too low	<ol style="list-style-type: none"> <li>1. Check whether <b>S.812</b> is displayed in the <b>Live Monitor</b>.</li> <li>2. Wait until the outside temperature increases again. The product then starts normal operation. <ul style="list-style-type: none"> <li>– Outside temperature: &gt; -3 °C</li> </ul> </li> </ol>
Product with increased noise level	Filter slightly dirty	▶ Clean the filters.
	Filter heavily dirty	▶ Replace the filter.
Product with bad/unpleasant air	Filter heavily dirty	▶ Replace the filter.

### F.2 Remedy

Message	Possible cause	Measure
<b>F.801 Frost protection not guaranteed</b>	Heat exchanger protection is active	▶ Wait until the outside temperature increases (the product automatically switches on no later than 60 minutes after the temperature increases.). Outside temperature: > -3 °C
<b>F.804 Supply air temp. too low</b>	Bypass does not work/is defective	<ol style="list-style-type: none"> <li>1. Press the fault clearance key. <ul style="list-style-type: none"> <li>– Fault clearance attempts: ≤ 3</li> </ul> </li> <li>2. If the fault cannot be eliminated with the fault clearance attempt, inform a competent person.</li> </ol>
	Heat exchanger does not work/is defective	<ol style="list-style-type: none"> <li>1. Press the fault clearance key. <ul style="list-style-type: none"> <li>– Fault clearance attempts: ≤ 3</li> </ul> </li> <li>2. If the fault cannot be eliminated with the fault clearance attempt, inform a competent person.</li> </ol>



0020159950\_07

0020159950\_07 ■ 12.07.2017

### **Supplier**

#### **Vaillant Deutschland GmbH & Co.KG**

Berghauser Str. 40 ■ D-42859 Remscheid  
Telefon 021 91 18-0 ■ Telefax 021 91 18-2810  
Auftragsannahme Vaillant Kundendienst 021 91 5767901  
info@vaillant.de ■ www.vaillant.de

#### **Vaillant Group Austria GmbH**

Clemens-Holzmeister-Straße 6 ■ 1100 Wien  
Telefon 05 7050 ■ Telefax 05 7050-1199  
Telefon 05 7050-2100 (zum Regionaltarif österreichweit, bei Anrufen aus dem Mobilfunknetz ggf. abweichende Tarife - nähere Information erhalten Sie bei Ihrem Mobilnetzbetreiber)  
info@vaillant.at ■ termin@vaillant.at  
www.vaillant.at ■ www.vaillant.at/werkskundendienst/

#### **Vaillant GmbH (Schweiz, Suisse, Svizzera)**

Riedstrasse 12 ■ CH-8953 Dietikon  
Tel. 044 74429-29 ■ Fax 044 74429-28  
Kundendienst 044 74429-29 ■ Techn. Vertriebssupport 044 74429-19  
info@vaillant.ch ■ www.vaillant.ch

© These instructions, or parts thereof, are protected by copyright and may be reproduced or distributed only with the manufacturer's written consent.

We reserve the right to make technical changes.